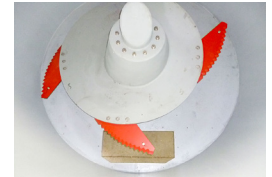
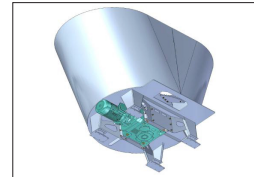
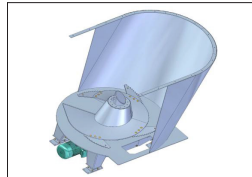


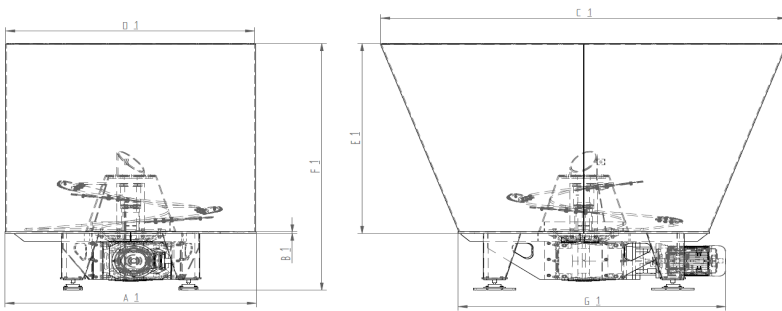
# Eco-Biomixer



The Eco-Biomixer has been designed to meet the needs of small-scale plants. The strength of this solution is that it offers an excellent combination of practicality, flexibility, quality and price. The machine is provided with a small mixing screw that can shred, mix and feed different substrates. Discharge on the bottom of the tank so the material drops by force of gravity, avoiding clogging problems.



## OVERALL DIMENSIONS DIAGRAM



### Standard outfit

- Painted mixing tank
- Vertical mixing screw with blades

### Optional features on request

- Weighing system
- Stainless steel lining (bottom and wall)
- Hydraulic roof
- Stainless steel mixing screw

Eco-Biomixer dimensions	low. tank length (G1)	upp. tank length (C1)	low. tank width (A1)	upp. tank width (D1)	bott. thickness (B1)	tank height (E1)	total height (F1)	Motors kW	mix. screw
SB	mm	mm	mm	mm	mm	mm	mm		Nr.
8 m3	2130	3232	2000	1980	15	1920	2495	15	1
10 m3	2130	3232	2000	1980	15	2320	2895	15	1
12 m3	2130	3232	2000	1980	15	2720	3295	15	1

Technical data is approximate. The manufacturer reserves the right to modify it at any time.



Biogas plant feed systems and spare parts

AGB s.n.c di Amistà G. & Masola S.

V.le Germania, 1 – 35020 Tribano (PD) – ITALY  
info@agb-biogas.com | +39 049 953 52 77